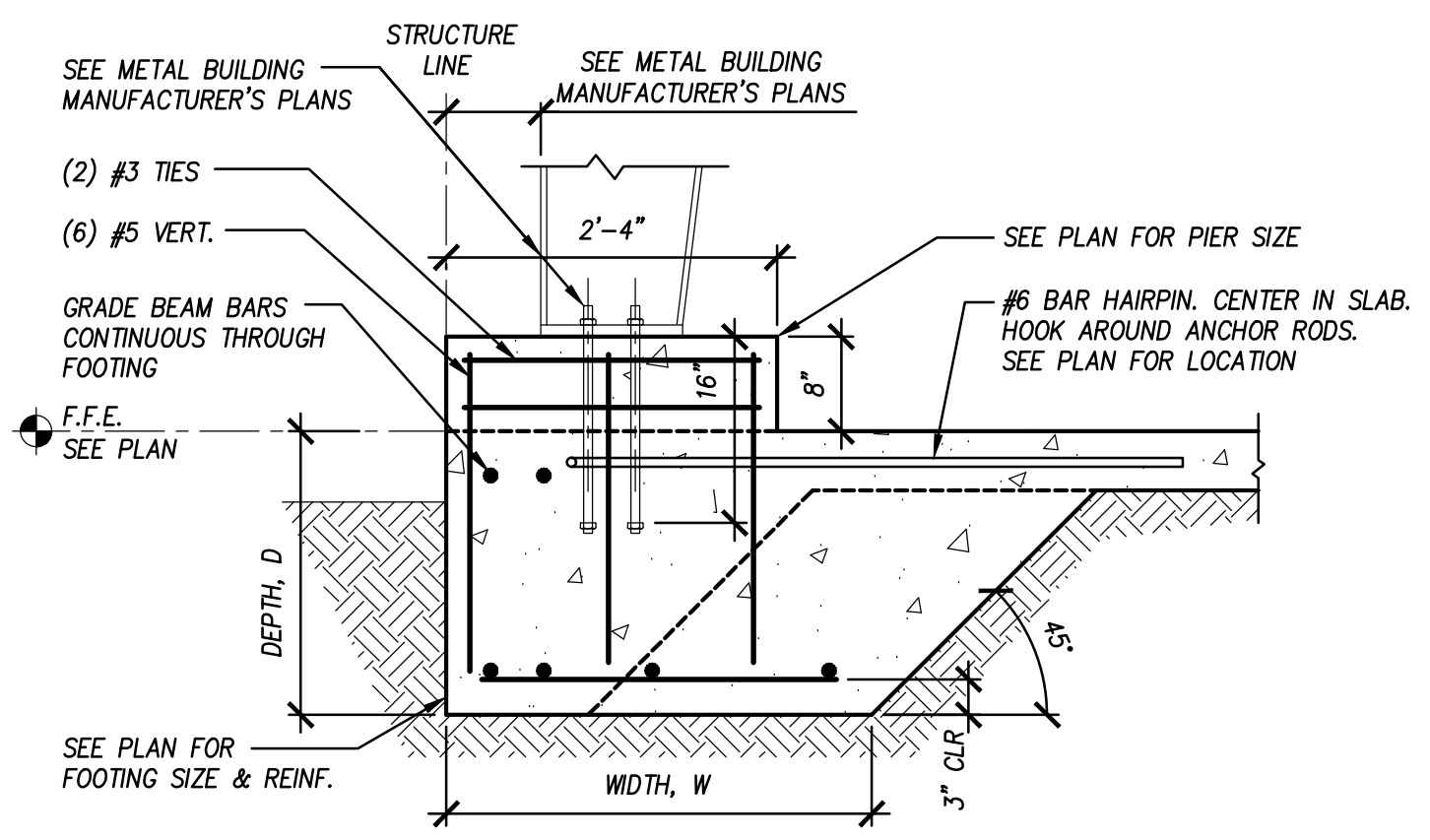
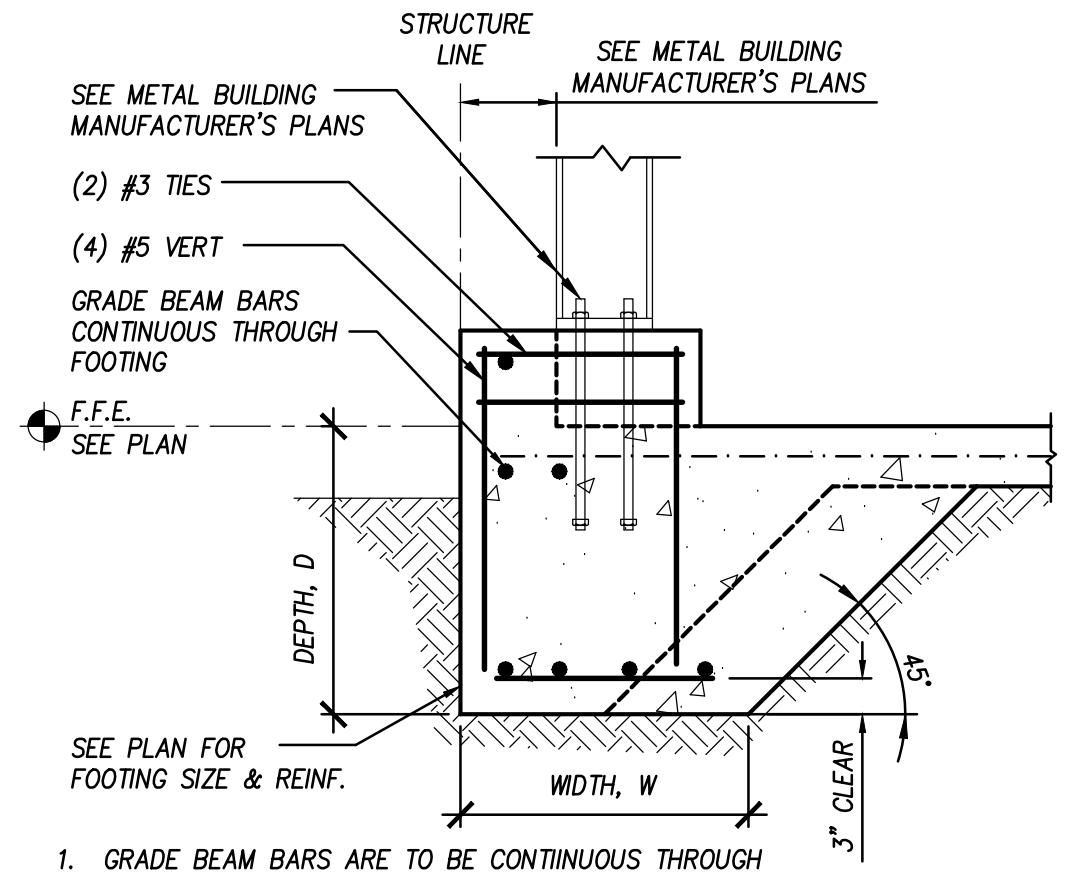


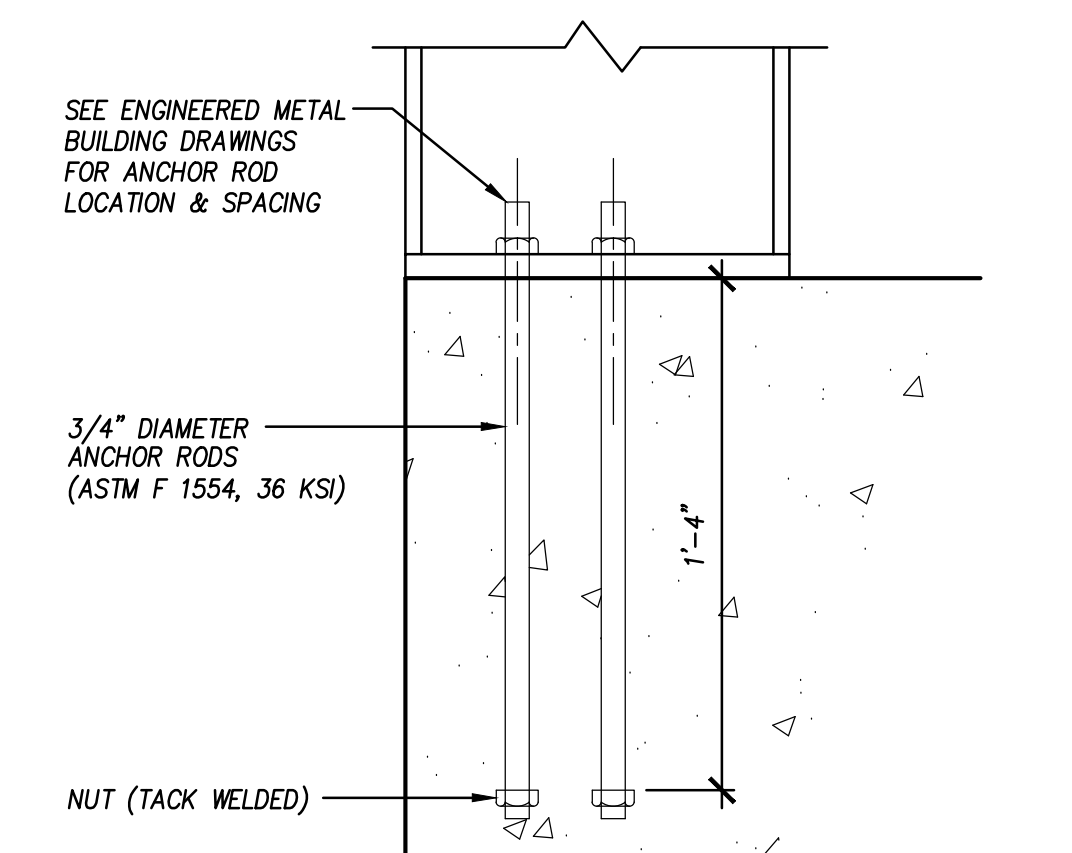
**9 Typical Exterior Grade Beam**  
3/4" = 1'-0"  
MTLBLDG 002



**10 Typical Frame Column Bearing**  
3/4" = 1'-0"  
MTLBLDG 006



**11 Typical End Column Bearing**  
3/4" = 1'-0"  
MTLBLDG 005E



**13 Typical Anchor Rods**  
2" = 1'-0"  
MTLBLDG AR

SLAB SCHEDULE			
MARK	THICKNESS	REINFORCING	YIELD STRENGTH
S-1	4"	6x6-W1.4xW1.4 W.W.M.	80 KSI
S-2	8"	12x12-W16xW16 W.W.M. OR #4 @10" O.C.	80 KSI 60 KSI

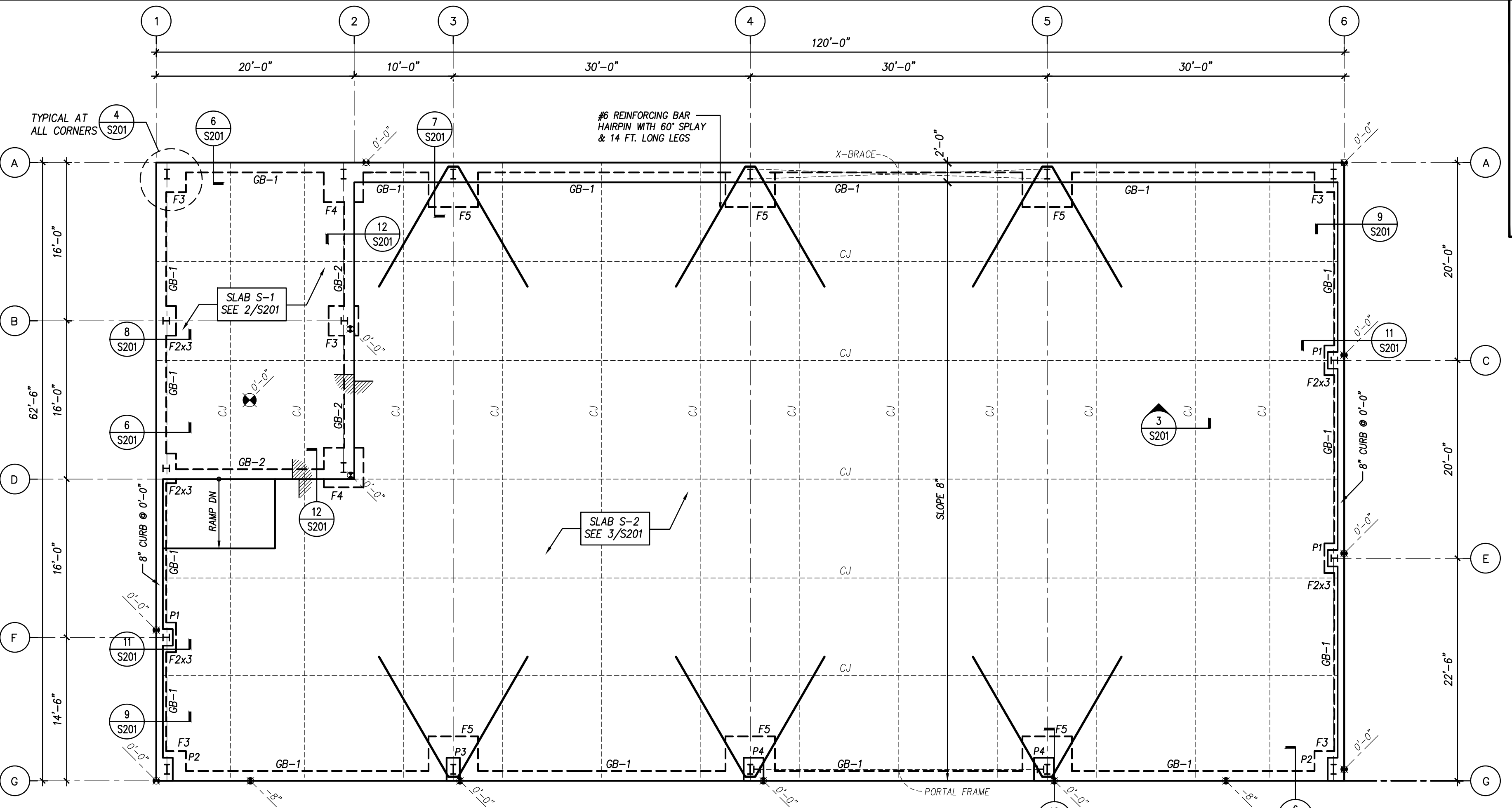
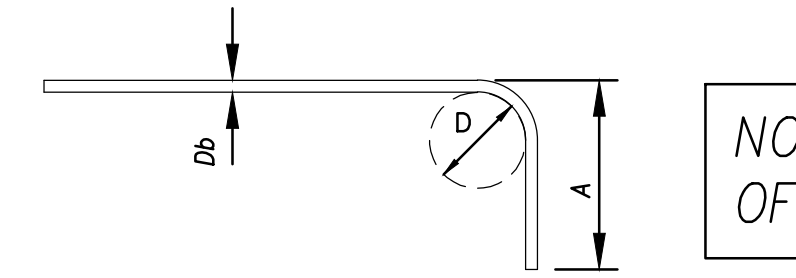
GRADE BEAM SCHEDULE				
MARK	WIDTH, W	DEPTH, D	REINFORCING	
			BOTTOM	TOP
GB-1	12"	24"	(2) #6	(2) #6
GB-2	12"	18"	(2) #5	(2) #5

PIER SCHEDULE			
MARK	SIZE	REINFORCEMENT	
		VERTICAL	TIES
P1	20" x 20"	(4) #5	(2) #3
P2	20 x 28	(6) #5	(2) #3
P3	16 x 28	(6) #5	(2) #3
P4	24" x 28"	(6) #5	(2) #3

FOOTING SCHEDULE			
MARK	SIZE	REINF.	
F2x3	2'-0 x 3'-0 x 24"	(4) #5 S.W.	(2) #5 L.W.
F3	3'-0 x 3'-0 x 24"	(4) #5 E.W.	
F4	4'-0 x 4'-0 x 24"	(5) #5 E.W.	

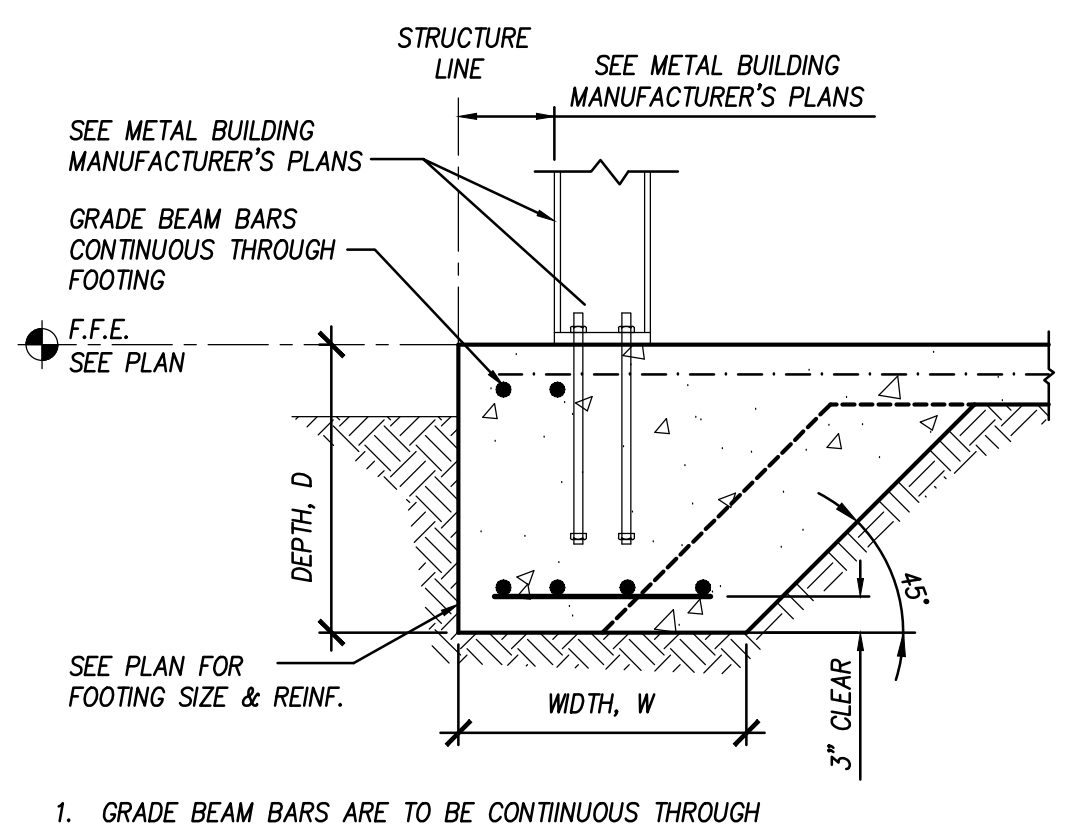
E.W. = EACH WAY  
L.W. = LONG WAY  
S.W. = SHORT WAY

REINFORCING LAP & BEND SCHEDULE			
BAR SIZE	STANDARD LAP LENGTH	STANDARD HOOKS	
		DIAMETER D	LENGTH A
#3	15"	2 1/4"	6"
#4	20"	3"	8"
#5	25"	3 3/4"	10"
#6	30"	4 1/2"	12"

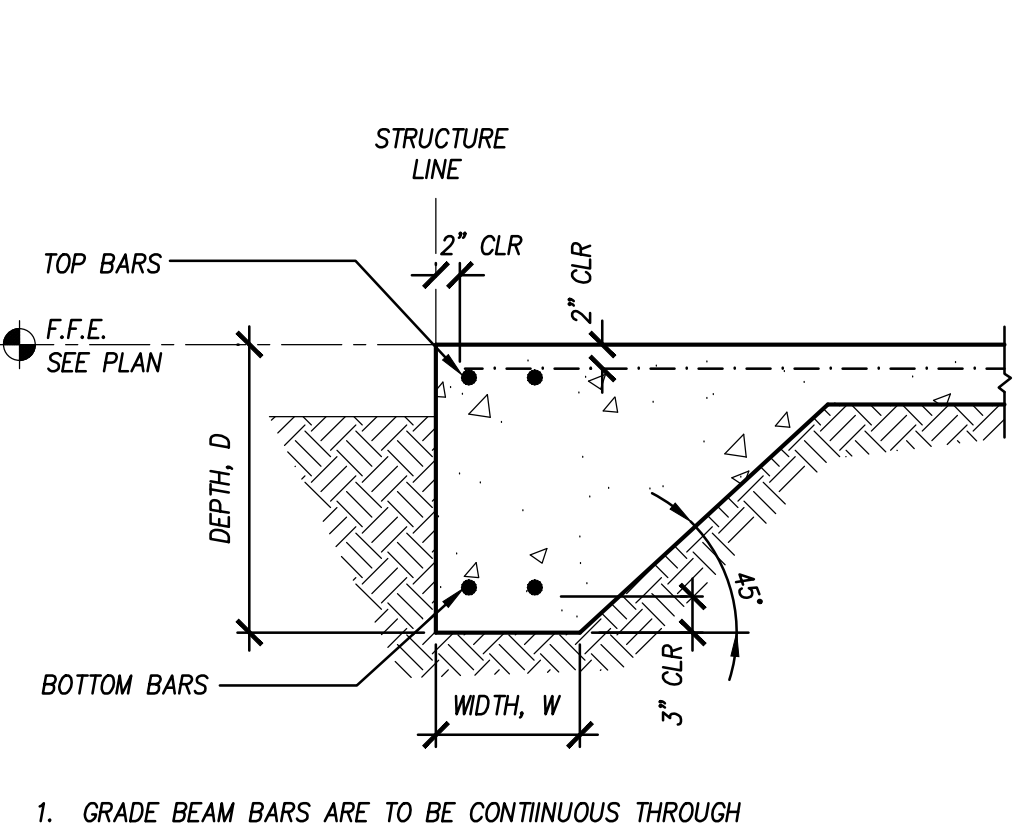


**1 Foundation Plan**  
1/8" = 1'-0"  
NOT FOR CONSTRUCTION PENDING RECEIPT OF PRE-ENGINEERED METAL BUILDING DRAWINGS

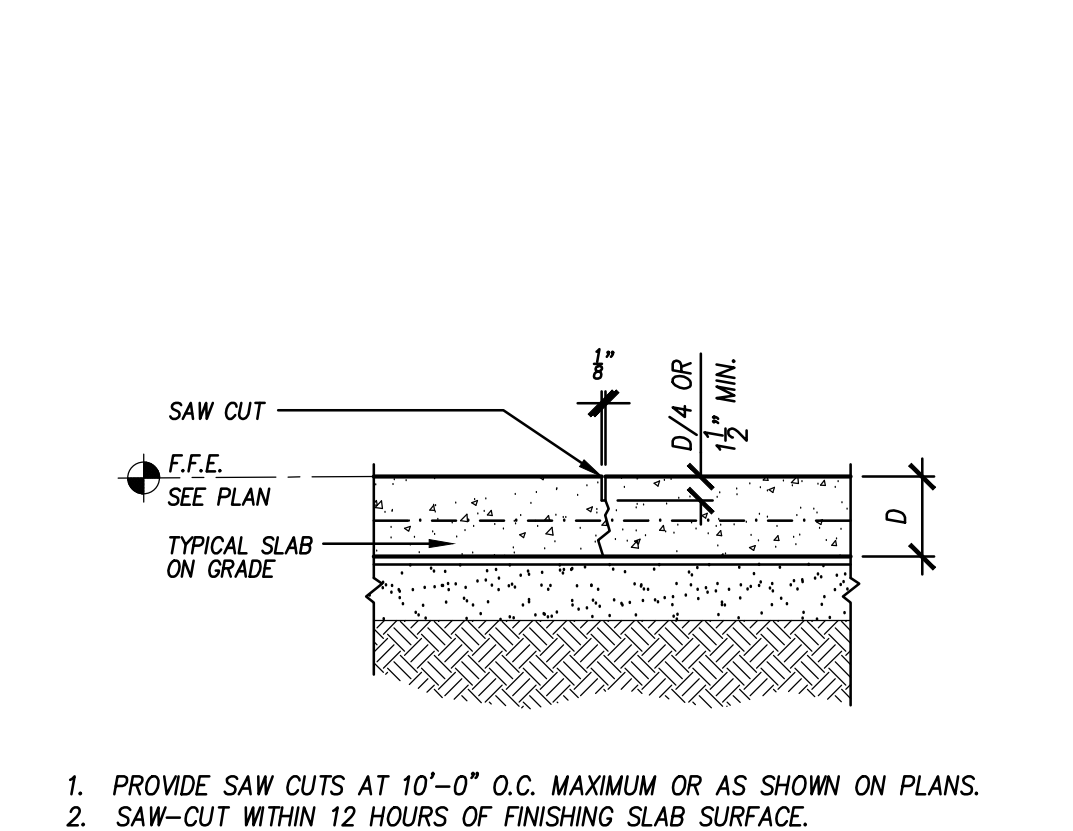
- REFER TO CIVIL/SITE DRAWINGS FOR FINISH FLOOR ELEVATION.
- PRIOR TO PLACING SLAB, SEE MECHANICAL, ELECTRICAL & PLUMBING DRAWINGS FOR ADDITIONAL SLAB PENETRATIONS AND UNDERSLAB PIPE, CONDUIT, ETC.
- DO NOT RUN PIPES AND CONDUIT IN SLAB ON GRADE. ALL PIPES AND CONDUIT SHALL BE LOCATED ENTIRELY BELOW THE BOTTOM OF SLABS AND GRADE BEAMS.
- REFER TO DRAWING S101 FOR STRUCTURAL NOTES.



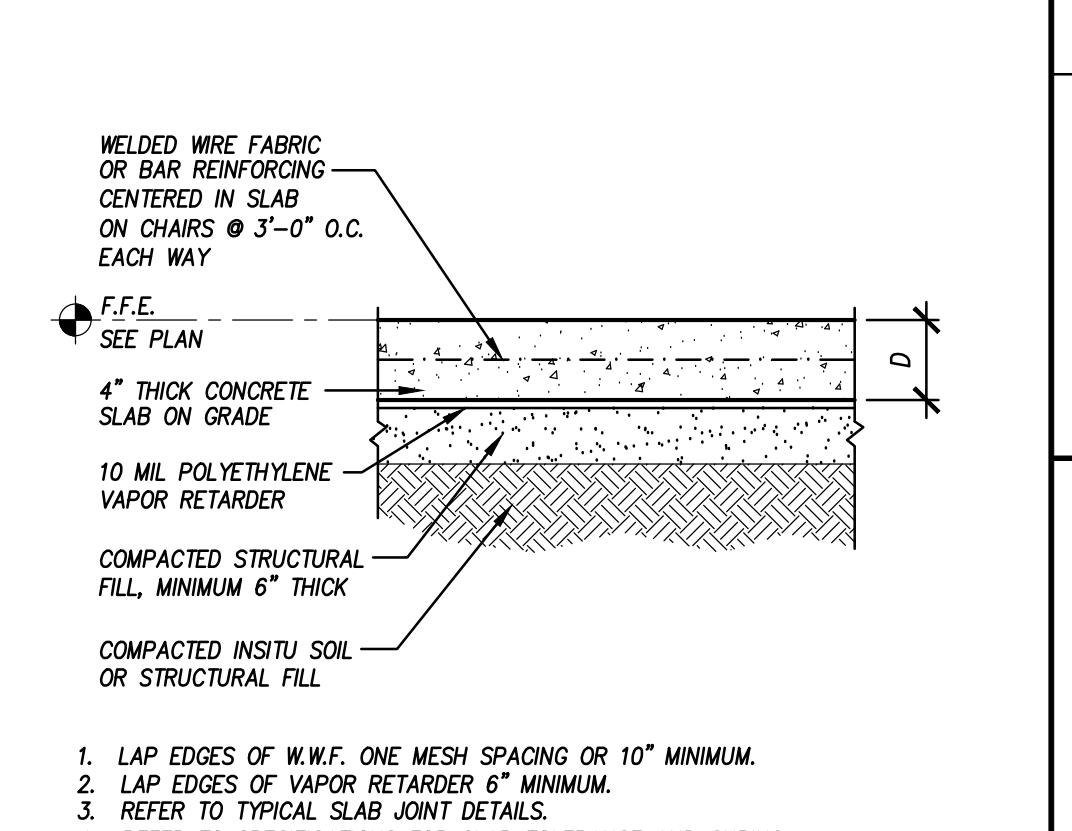
**8 Typical End Column Bearing**  
3/4" = 1'-0"  
MTLBLDG 005



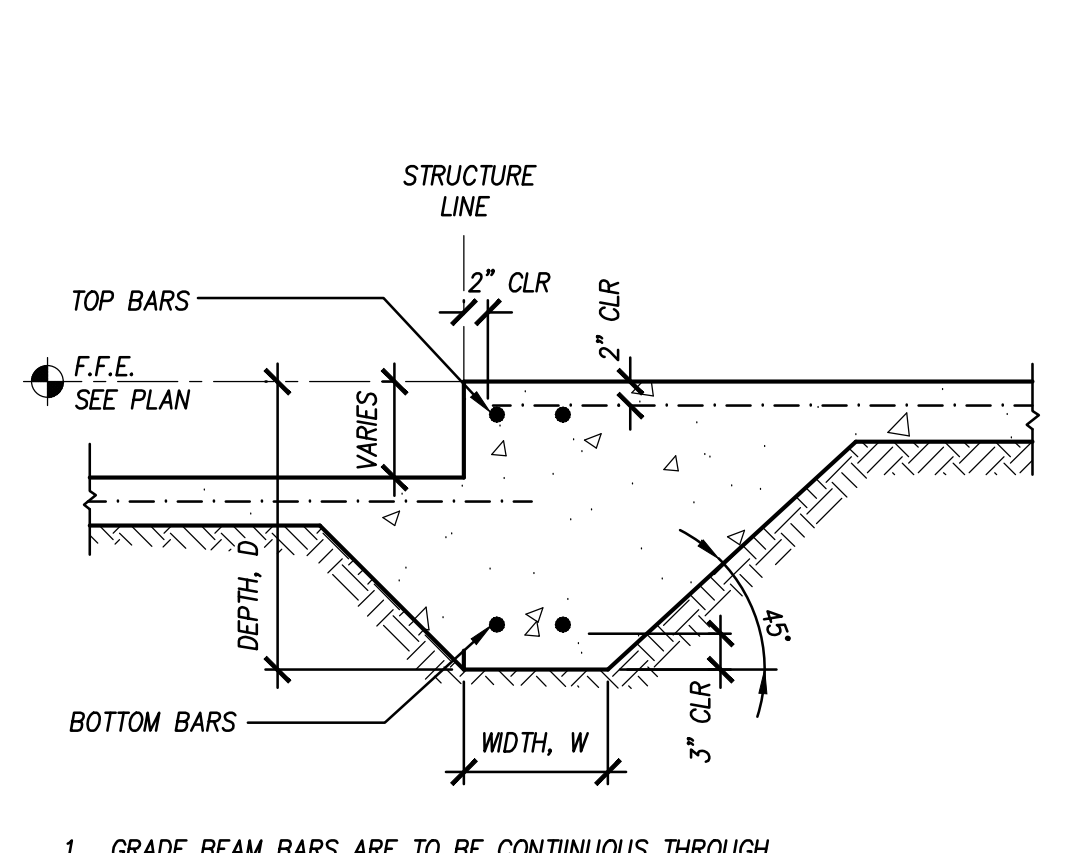
**6 Typical Exterior Grade Beam**  
3/4" = 1'-0"  
MTLBLDG 001



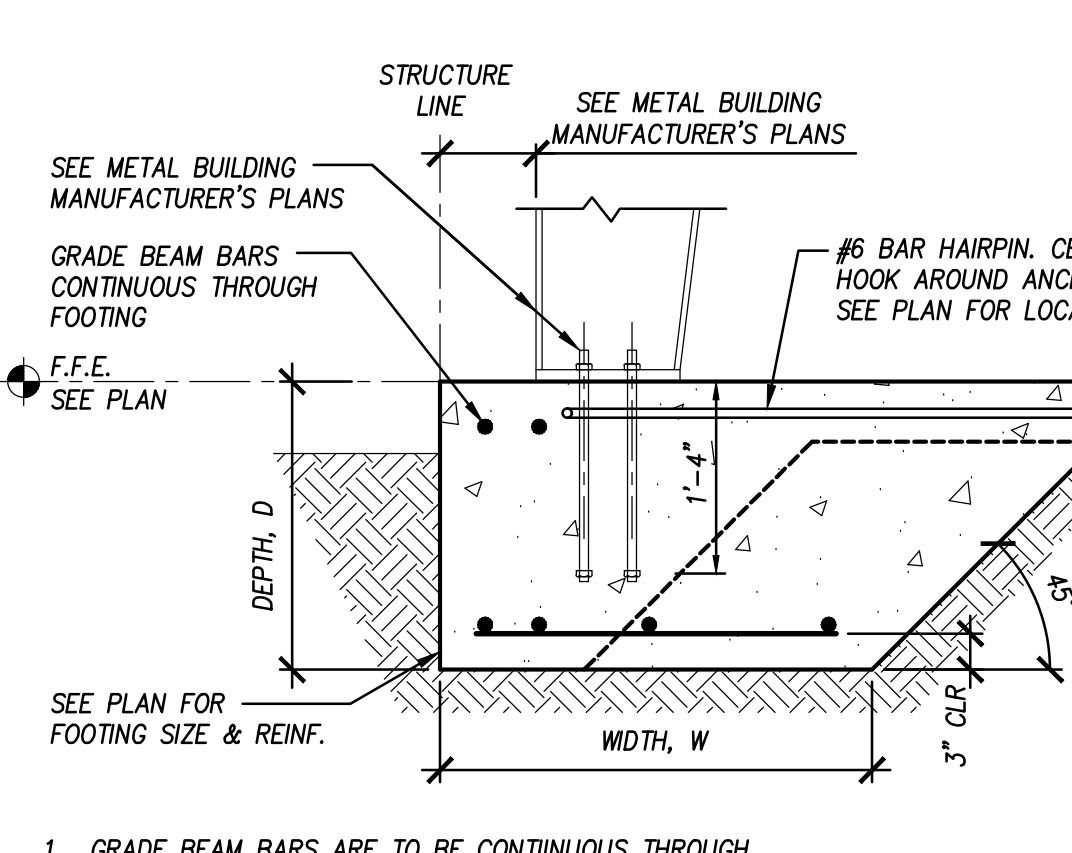
**4 Typical Saw-cut Contraction Joint**  
1" = 1'-0"  
JOINT 001



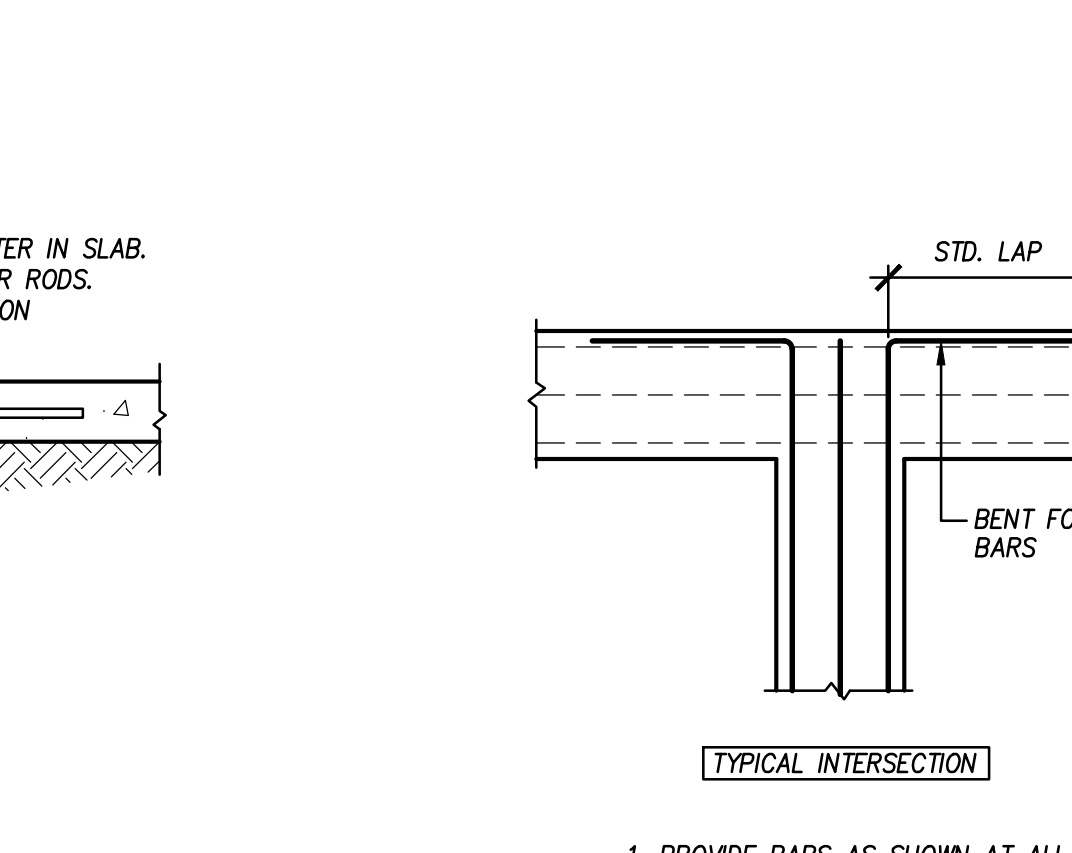
**2 Typical Slab on Grade**  
1" = 1'-0"  
SLAB 002



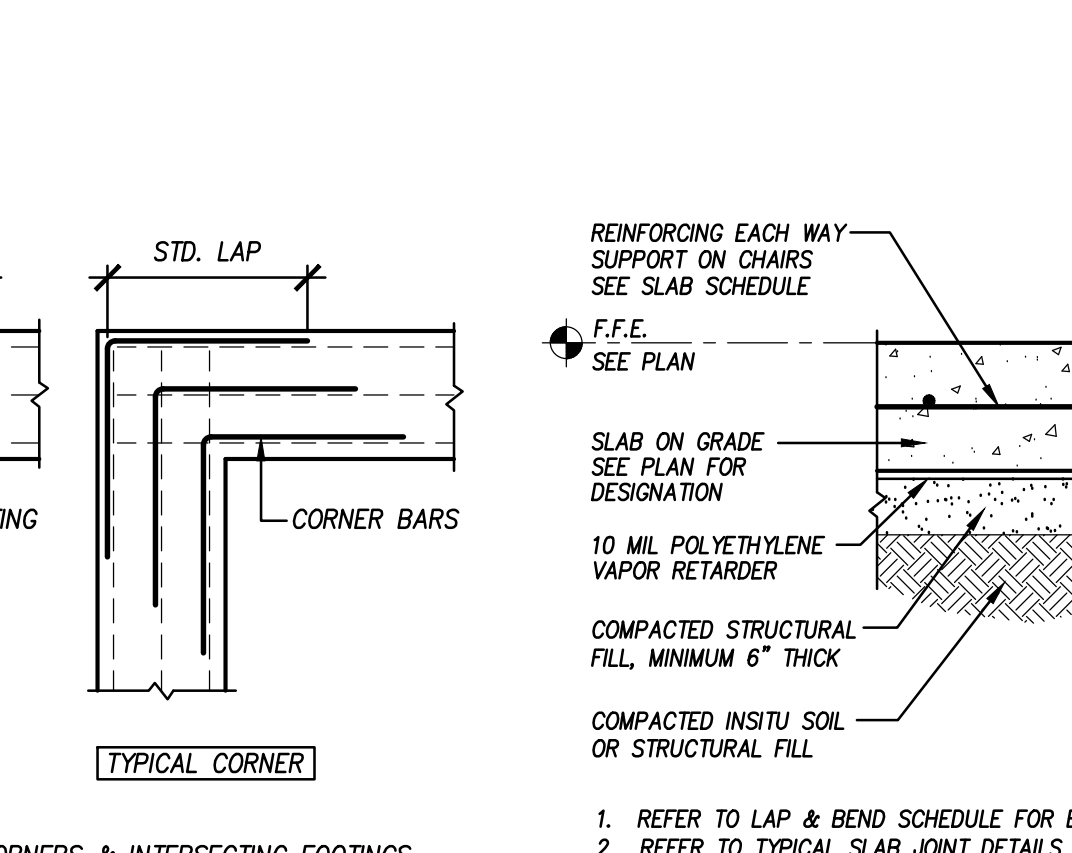
**12 Typical Foundation Section**  
3/4" = 1'-0"  
MTLBLDG 001A



**7 Typical Frame Column Bearing**  
3/4" = 1'-0"  
MTLBLDG 004



**5 Typical Intersecting Footings**  
1/2" = 1'-0"  
CONC 001



**3 Typical Reinforced Slab on Grade**  
1" = 1'-0"  
SLAB 005

Drawing Status: **Permit Documents**

Client: **City of Ocala**

Project Name: **Fire Station 07 Apparatus Storage, 885 SE 31st Street Ocala, FL 34471**

Drawn by: **GS WAYLAND**

Date: **OCTOBER 10, 2025**

WSE Project No.: **25015**

Drawing No.: **S201**

Drawn Name: **Foundation Plan & Details**

Rev. No.: \_\_\_\_\_ Date: \_\_\_\_\_ Description: \_\_\_\_\_

**WSE WAYLAND**  
STRUCTURAL ENGINEERING  
2801 SW 81st Street Gainesville, FL 32608  
Phone: 352-376-1234  
Fax: 352-376-1235  
Florida C.O.C. #8236

Professional Seal: **GS WAYLAND**, License No. 64388, State of Florida, Professional Engineer

This item has been signed and sealed using Digital Signature. Printed copies of this document are not considered signed and sealed and the authentication code must be verified on any electronic copies.